

B-51 - Explorer (Bracket Mount)

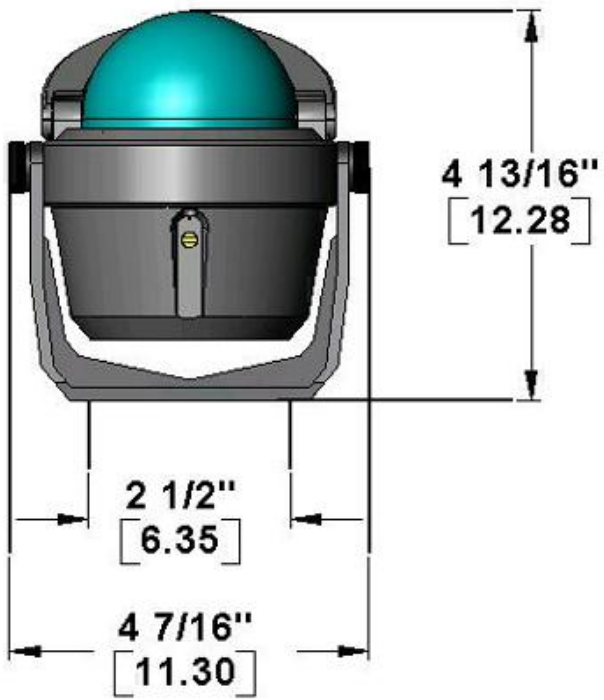


Ritchie B-51 Explorer Compass Features

- 2 3/4" Easy to Read Direct Reading Dial
- Adjustable and Removable with Bracket and Thumbscrews
- Internal Green Night Illumination
- Built-in Compensators to Easily Adjust for Deviation
- Scientifically Matched Sapphire Jewel & Hardened Steel Pivot Dial Movement
- Powerful Directive Force Magnets for Fast Heading Lock-on
- Movable Sun Shield
- High Temperature Composite Construction for Extended Operating Range

- **Approx. Shipping Weight:** 1 lb (454g)
- **Protective Cover:** N/A

B-51



Side View

